

# FIELD BUS EXTENSION BOX

Item No.: 592.740



## DESCRIPTION OF FUNCTIONS

With the Fieldbus Extension Box you can build a star layout RS485 network. The integrated RS485 hub has one RS485 input channel and six RS485 output channels. As each output channel has its own line driver you can connect a RS485 leg with a maximum cable length of 1,200 m to every output. Inputs and outputs are galvanically separated from one another.

The RS485 hub can also be used as a repeater.

## INTERFACES

Power supply input:

Power supply output:

Protective earthing:

RS485 input:

RS485 output:

Potential equalization:

Bus termination:

1 x 24 V DC + and + (tension-clamp connection up to 2.5 mm<sup>2</sup>)

7 x 24 V DC + and + (tension-clamp connection up to 2.5 mm<sup>2</sup>)

1 x PE (push-in connection up to 6.0 mm<sup>2</sup>)

1 x RS485 two-core; A and B (tension-clamp connection up to 2.5 mm<sup>2</sup>)

6 x RS485 three-core; A, potential equalization (⊥) and B (Direct connection at hub)

1 x Potential equalization (⊕) (Direct connection at hub)

integrated (set permanently)

## TECHNICAL DATA

Power supply:

Power consumption:

Protection class:

Altitude (NHN):

Dimensions (H x W x D):

Weight:

Operating temperature:

Relative humidity:

24 V DC

max. 2 W

IP 66

max. 2,000 m

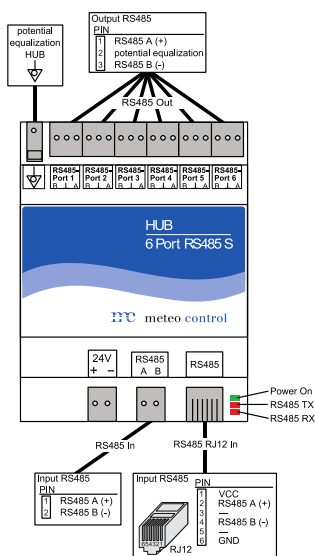
200 x 200 x 80 mm

2.45 kg

0 ... 55 °C

max. 95 %, non-condensing

## CONNECTION



To connect Modbus devices, please refer to the RS485 connector diagram on the left and the operating manual of the Modbus devices.

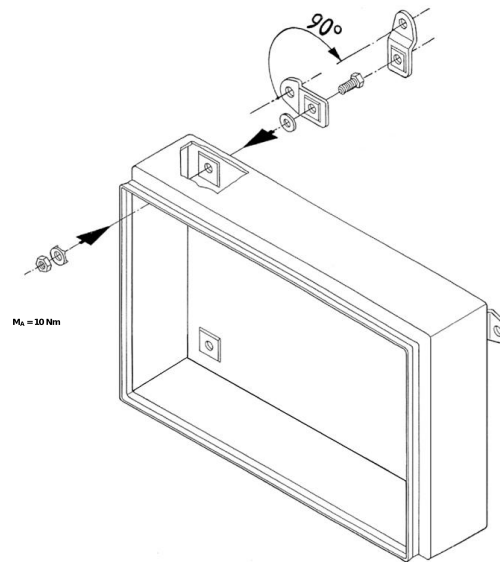
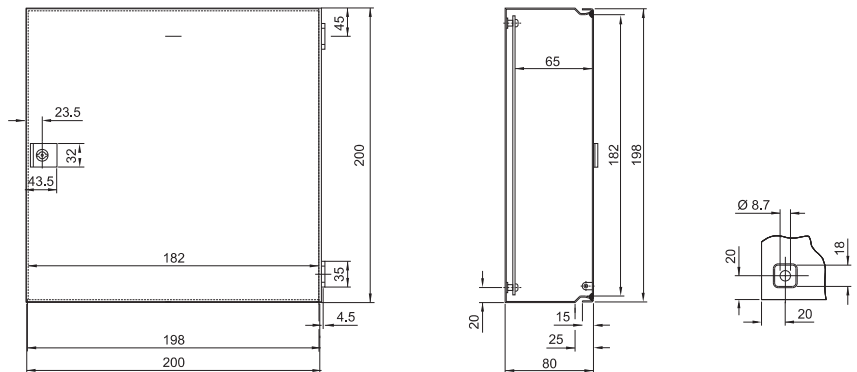
LED function:

LED		Meaning
Green:	●	On: Operational
	○	Off: Power supply fault
Red:	☀	Flashes: Sending signal TX
	●	On: RS485 A/B interchanged at input
Red:	☀	Flashes: Sending signal RX
	●	On: RS485 A/B interchanged at input

To connect meteocontrol data logger, please refer to the RS485 connector diagram on the left and the operating manual of the respective data logger.

## MOUNTING

Wall mounting with enclosed mounting material.



## ADDITIONAL NOTES

Conformity:

CE, 2014/30/EU, DIN EN 61000-6-2, -3, -4, IEC 61010-1

Warranty:

2 years / 5 years on request

meteocontrol GmbH | Spicherer Straße 48 | 86157 Augsburg | Germany | Telephone +49 (0)821 34666 - 0 | Fax +49 (0)821 34666 - 11  
 E-Mail: [info@meteocontrol.com](mailto:info@meteocontrol.com) | Web: [www.meteocontrol.com](http://www.meteocontrol.com)