

MODULE TEMPERATURE SENSOR TM-I-4090 WITH SIGNAL CONVERTER

Item No.: 423.017



DESCRIPTION OF FUNCTIONS

The module temperature sensor Tm-I-4090 is equipped with a stable aluminium housing and a robust weatherproof cable. Due to the use of top quality components the sensor achieves very high accuracy and is ideal for use in industrial and field environments. The sensor gets shipped with a calibration protocol for the measuring amplifier.

TECHNICAL DATA

Power supply:	12...28 V DC
Current consumption:	max. 25 mA
Sensor element:	PT 1000 Class A as per EN 60751
Measuring range:	-40...+90 °C
Measurement uncertainty:	1 K (at -40...+80 °C)
Output signal:	4...20 mA

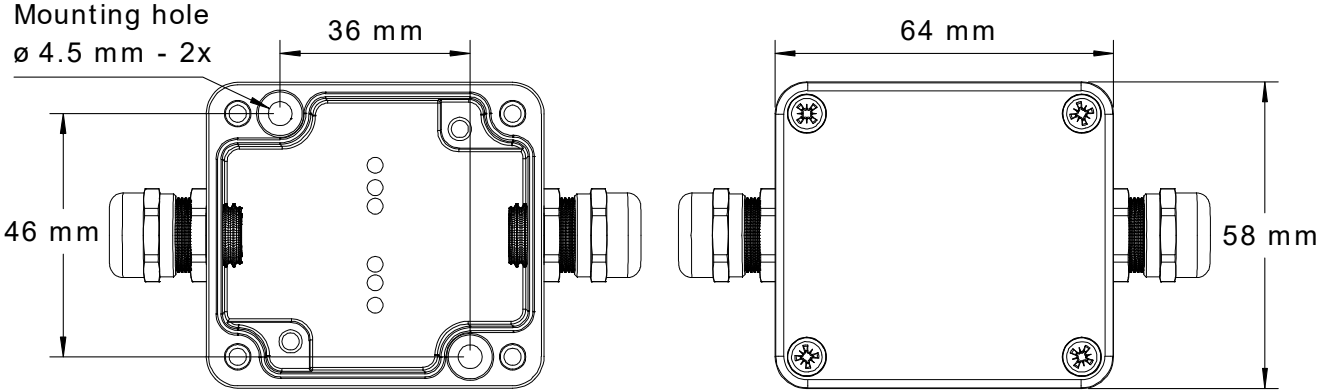
DATA LOGGER

Type:	Current measurement
Gradient:	8.125
Offset:	-72.5
Abbreviation:	T

INSTALLATION

Installation:	Mounting by glueing the aluminium block directly on to the measurement surface. It is recommended to use an extra fixing with silicon or Sikaflex
Position:	If mounted outdoors, avoid direct exposure to sunlight and rain to the sensor housing (aluminium block). If necessary, provide protection from the sun and rain.
Sensor housing:	Self-adhesive aluminium block
Enclosure signal converter:	Powder-coated aluminium
IP protection class:	IP 67 (enclosure signal converter)
Operating temperature:	-40...+80 °C
Enclosure dimensions (W x H x D):	64 x 58 x 34 mm
Weight:	overall appr. 350 g
Connection cable:	3 m length, PUR coated, shielded (LiHC11Y, 4 x 0.14 mm ²)
Sensor cable:	3 m length, PUR coated, shielded (LiHC11Y, 2 x 0.25 mm ²)
Max. cable length:	200 m (with a cable 4 x 0.5 mm ²)
Assignment of connections:	
Power supply	Plus = red, Minus = black
Temperature	brown

SCALE DRAWING



Further information: www.meteocontrol.com